

Custom Cupholders

A Horizon Aviation Group Company

Vertical Mounted Ashtray (VMA) for minimum 0.75 inch thick panels.



Inner receptacle rotated open.
Ashtray mounted into
0.75 inch thick vertical panel.*

- Specifically designed for vertical installations.
- Inner receptacle is quickly and easily removed for cleaning.
- Mounts in panels 0.75 inch and thicker.*
- Manufactured from aircraft quality 6061-T6 aluminum.
- Standard finish is satin aluminum. (Optional finishes are shown.)



Inner receptacle rotated closed.
Ashtray mounted into
0.75 inch thick vertical panel.*

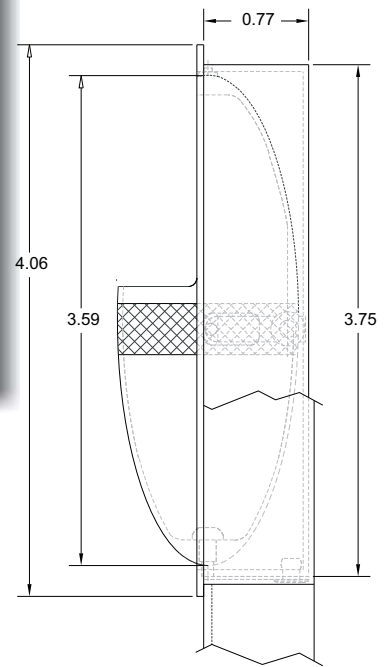


Receptacle removed for cleaning.



NOTES:

- P/N - A0.75BLK-1.
- *Some panel dimensions indicated may also require an additional 0.030" thick finish material covering.
- Mounting of ashtray, and the mounting structural requirements, is the responsibility of the installer.
- Some parts shown with optional finishes.



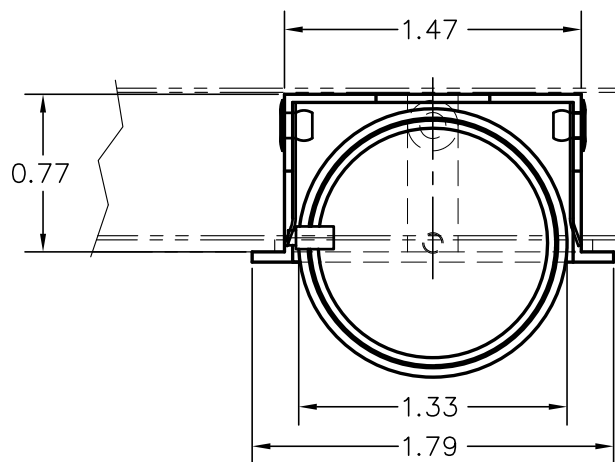
Ashtray shown mounted in
0.75 inch thick vertical panel.*

Assembly parts.



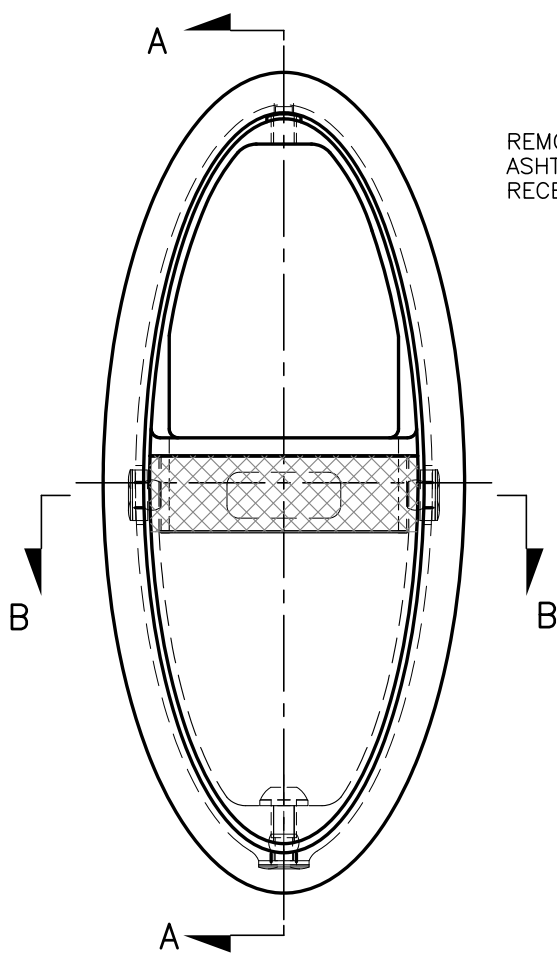
Case

Receptacle Top & Bottom



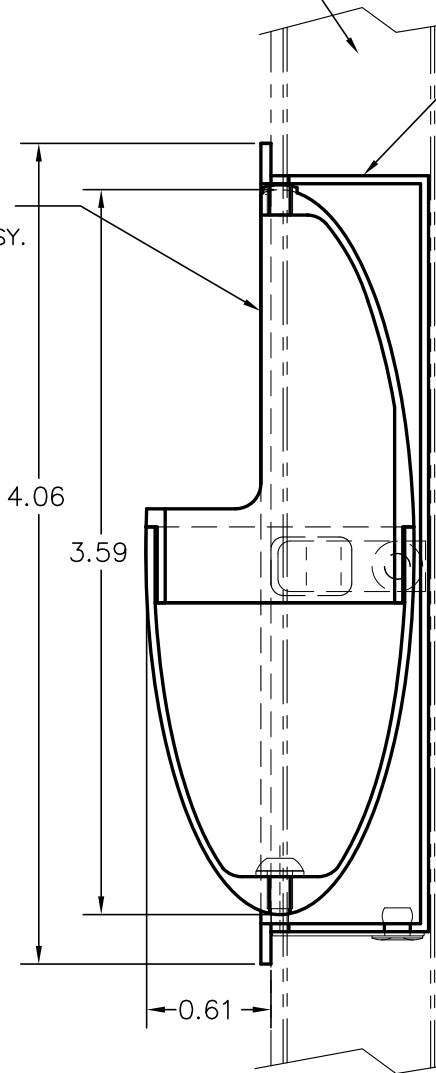
SECTION B-B

.75" THICK BULKHEAD WITH .060" COVERING MATERIAL. (REF)



REMOVEABLE ASHTRAY ASSY. RECEPTACLE

ASHTRAY ASSY. CASE



SECTION A-A

NOTES:

1. FABRICATE FROM 6061-T6, AMS-QQ-A-200/8

THE DATA OR DESIGNS CONTAINED HEREIN ARE THE EXCLUSIVE PROPERTY OF CUSTOM CUPHOLDERS COMPANY OR CONTAIN PROPRIETARY RIGHTS OF OTHERS AND SHALL NOT BE USED, DISCLOSED OR COPIED WITHOUT THE WRITTEN CONSENT OF CUSTOM CUPHOLDERS.

DIMENSIONS IN INCHES
DECIMAL TOLERANCES:
X.XX = +/- 0.020
X.XXX = +/- 0.002
ANGLES = +/- 0.50 DEG
RMS FINISH 32/
EXCEPT AS NOTED

DESIGN	01/28/06	Custom Cupholders Company
DRAWN		P.O. Box 2020
STRESS		North East
DATE		Maryland 21901

**VERTICAL MOUNT ASHTRAY LAYOUT
.75 THK. PANEL**