

Custom Cupholders

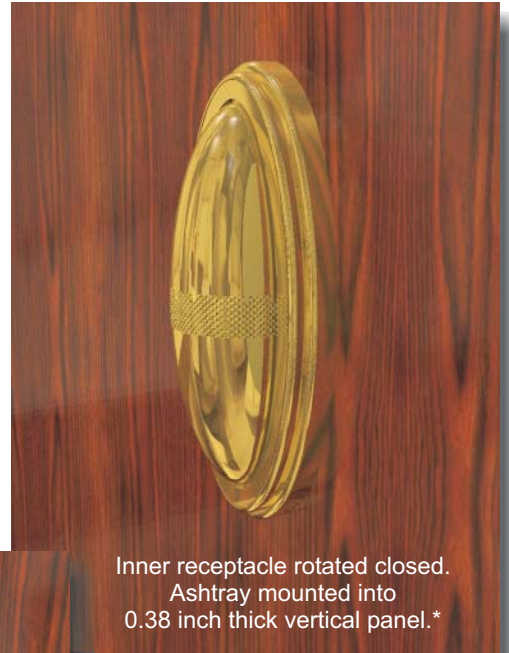
A Horizon Aviation Group Company

Vertical Mounted Ashtray (VMA) for 0.38 to 0.74 inch panels.



Inner receptacle rotated open.
Ashtray mounted into
0.38 inch thick vertical panel.*

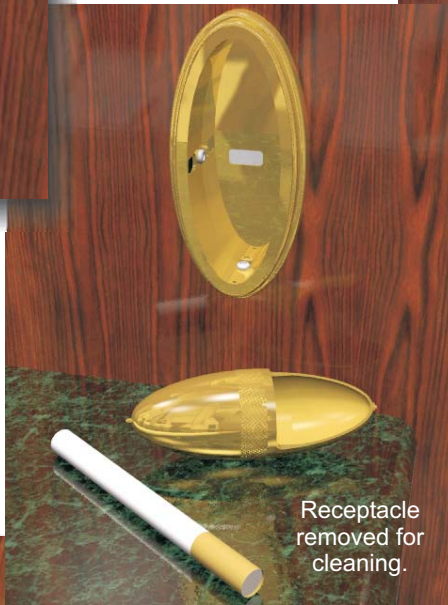
- Specifically designed for vertical installations.
- Inner receptacle is quickly and easily removed for cleaning.
- Included bezel allows mounting in panels as thin as 0.38 inch thick.*
- Manufactured from aircraft quality 6061-T6 aluminum.
- Standard finish is satin aluminum. (Optional finishes are shown.)



Inner receptacle rotated closed.
Ashtray mounted into
0.38 inch thick vertical panel.*

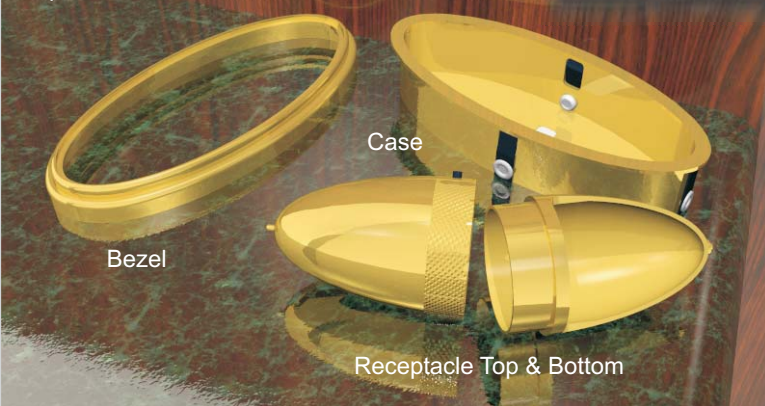
NOTES:

- P/N - A0.38BLK-4.
- *Some panel dimensions indicated may also require an additional 0.030" thick finish material covering.
- Mounting of ashtray, and the mounting structural requirements, is the responsibility of the installer.
- Some parts shown with optional finishes.



Receptacle removed for cleaning.

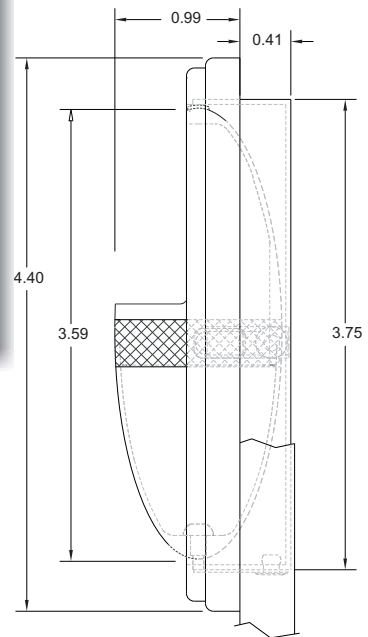
Assembly parts.



Bezel

Case

Receptacle Top & Bottom

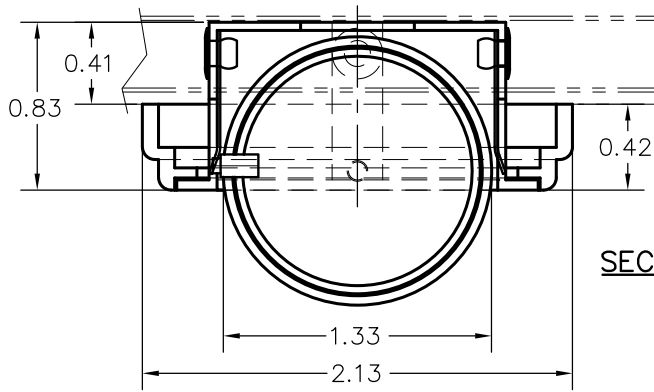


Ashtray mounted in 0.38" thick vertical panel (with bezel).*

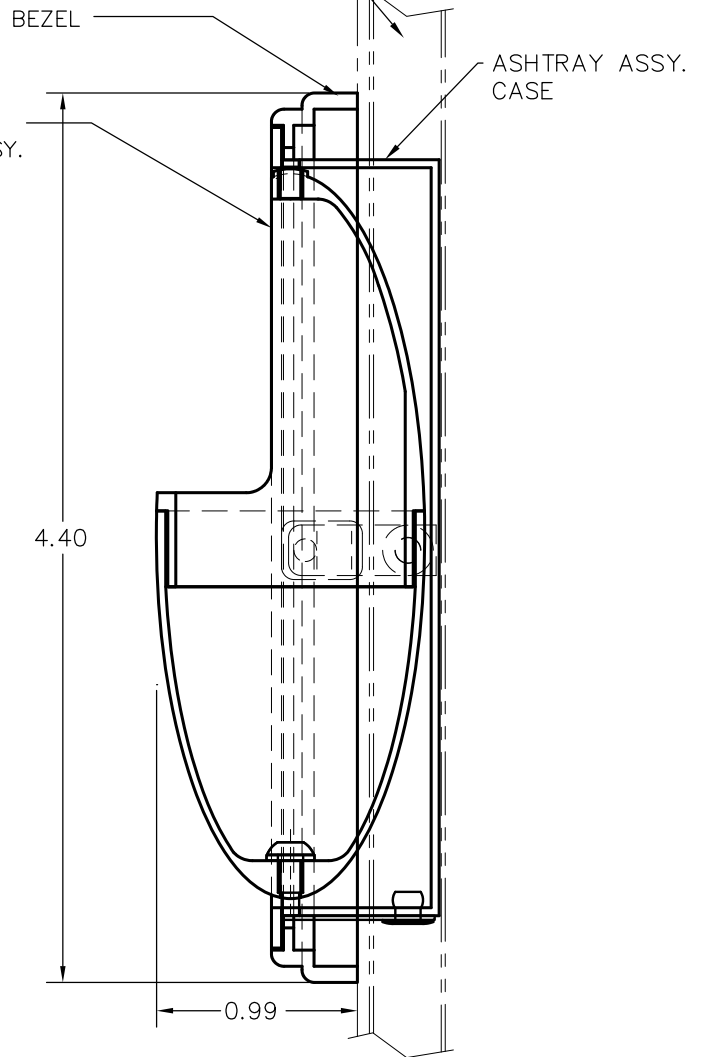
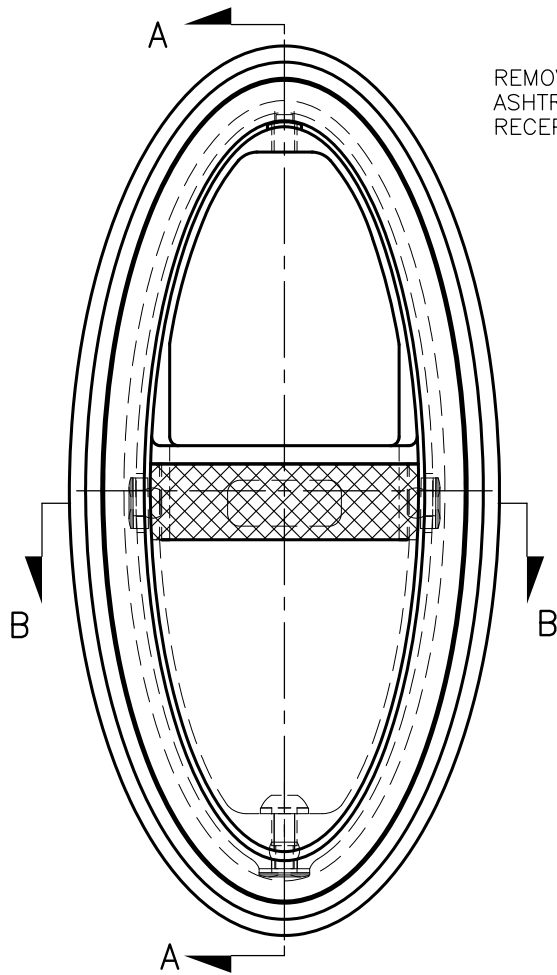
Finally...

elegant interior hardware and accessories for luxury vehicles

P.O. Box 2020, North East, MD 21901, (410) 658-0309 ph (410) 658-0411 fx, www.customcupholders.com



SECTION B-B



SECTION A-A

NOTES:

- 1. FABRICATE FROM 6061-T6, AMS-QQ-A-200/8

THE DATA OR DESIGNS CONTAINED HEREIN ARE THE EXCLUSIVE PROPERTY OF CUSTOM CUPHOLDERS COMPANY OR CONTAIN PROPRIETARY RIGHTS OF OTHERS AND SHALL NOT BE USED, DISCLOSED OR COPIED WITHOUT THE WRITTEN CONSENT OF CUSTOM CUPHOLDERS.

DIMENSIONS IN INCHES
DECIMAL TOLERANCES:
X.XX = +/- 0.020
X.XXX = +/- 0.002
ANGLES = +/- 0.50 DEG
RMS FINISH 32/
EXCEPT AS NOTED

| | | |
|--------|----------|---------------------------|
| DESIGN | 01/28/06 | Custom Cupholders Company |
| DRAWN | | P.O. Box 2020 |
| STRESS | | North East |
| DATE | | Maryland 21901 |

**VERTICAL MOUNT ASHTRAY LAYOUT
.38 THK. BULKHEAD**