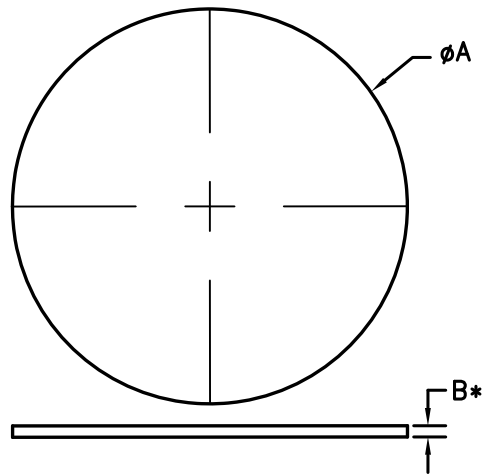


NOTE: DO TO LIMITED INVENTORY WE ARE ONLY ABLE TO SELL CUPHOLDER BOTTOM INSERTS TO CUSTOMERS THAT HAVE PURCHASED CUPHOLDERS.



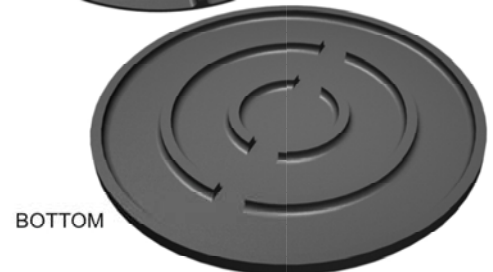
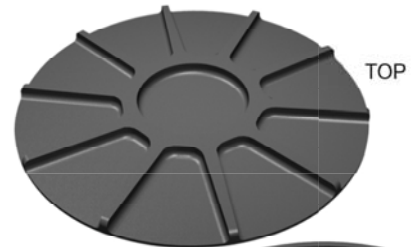
**CORK\***  
CORK INSERTS ARE DIECUT FOR A CLEAN APPEARANCE  
PRICE \$2.00 USD EACH.  
MINIMUM ORDER 35 PIECES.



**BLACK "VINYL" \*\***  
BLACK VINYL INSERTS ARE DIECUT FOR A CLEAN APPEARANCE  
PRICE \$2.00 USD EACH.  
MINIMUM ORDER 35 PIECES.

FOR BEST APPEARANCE AND EASE OF INSTALLATION THE FOLLOWING IS RECOMMENDED:  
FOR CORK AND BLACK VINYL INSERTS THE INSIDE DIAMETER OF THE CUPHOLDER SHOULD BE AT LEAST APPROXIMATELY 0.10" (2.5mm) LARGER THAN THE DIAMETER OF THE INSERT.  
FOR MOLDED URETHANE INSERTS THE INSIDE DIAMETER OF THE CUPHOLDER SHOULD BE AT LEAST 0.01" (.25mm) LARGER THAN THE DIAMETER OF THE INSERT.

		A OAD	B* THICKNESS	MATERIAL	PSA***	
STANDARD	CORK*	Cork-2.63	2.63" 66.8mm	0.063" 1.59mm	CORK COMPOSITE	YES
		Cork-2.75	2.75" 69.9mm	0.063" 1.59mm	CORK COMPOSITE	YES
		Cork-2.88	2.88" 73.2mm	0.063" 1.59mm	CORK COMPOSITE	YES
		Cork-3.00	3.00" 76.2mm	0.063" 1.59mm	CORK COMPOSITE	YES
		Cork-3.13	3.13" 79.5mm	0.063" 1.59mm	CORK COMPOSITE	YES
		Cork-3.25	3.25" 82.6mm	0.063" 1.59mm	CORK COMPOSITE	YES
		Cork-3.38	3.38" 85.9mm	0.063" 1.59mm	CORK COMPOSITE	YES
	BLACK "VINYL" **	VIN1-2.375-BLK	2.375" 60.3mm	0.063" 1.59mm	SKINNED OPEN CELL SPONGE	YES
		VIN1-2.63-BLK	2.63" 66.8mm	0.063" 1.59mm	SKINNED OPEN CELL SPONGE	YES
		VIN1-2.78-BLK	2.75" 69.9mm	0.063" 1.59mm	SKINNED OPEN CELL SPONGE	YES
		VIN1-2.90-BLK	2.88" 73.2mm	0.063" 1.59mm	SKINNED OPEN CELL SPONGE	YES
		VIN1-3.13-BLK	3.13" 79.5mm	0.063" 1.59mm	SKINNED OPEN CELL SPONGE	YES
		VIN1-3.25-BLK	3.25" 82.6mm	0.063" 1.59mm	SKINNED OPEN CELL SPONGE	YES
		VIN1-3.375-BLK	3.38" 85.9mm	0.063" 1.59mm	SKINNED OPEN CELL SPONGE	YES
OPTIONAL	MOLDED SILICONE	SIL1-2.70-BLK	2.70" 68.6mm	0.238" 6.04mm	MOLDED SILICONE - BLACK	NO
		SIL1-2.97-BLK	2.97" 75.4mm	0.238" 6.04mm	MOLDED SILICONE - BLACK	NO
		SIL1-3.08-BLK	3.08" 78.2mm	0.238" 6.04mm	MOLDED SILICONE - BLACK	NO
		SIL1-3.20-BLK	3.20" 81.3mm	0.238" 6.04mm	MOLDED SILICONE - BLACK	NO



**MOLDED SILICONE**  
DISHWASHER SAFE FOR EASY CLEANING.  
A DIFFERENT PATTERN ON EACH SIDE.  
PRICE \$6.45 USD EACH.  
MINIMUM ORDER 10 PIECES.

\*THICKNESS TOLERANCE ON CORK +/- 0.030  
\*\*DIAMETER TOLERANCE ON BLACK VINYL INSERTS +/- 0.080  
\*\*\*PRESSURE SENSATIVE ADHESIVE W/ PEEL OFF PROTECTIVE PAPER.

THE DATA OR DESIGNS CONTAINED HEREIN ARE THE EXCLUSIVE PROPERTY OF CUSTOM CUPHOLDERS COMPANY OR CONTAIN PROPRIETARY RIGHTS OF OTHERS AND SHALL NOT BE USED, DISCLOSED OR COPIED WITHOUT THE WRITTEN CONSENT OF CUSTOM CUPHOLDERS.  
DIMENSIONS IN INCHES  
DECIMAL TOLERANCES:  
X.XX = +/- 0.020  
X.XXX = +/- 0.010

DESIGN Custom Cupholders Company LLC  
DRAWN P.O. Box 2020  
STRESS North East  
DATE 01 DEC 2021 Maryland 21901

## CUPHOLDER BOTTOM INSERTS